

20/21
PRODUCTS

Product Catalogue

Smoke Motorized Damper

Type (SDM)



Khedr Trust
ALL AIR PRODUCTS

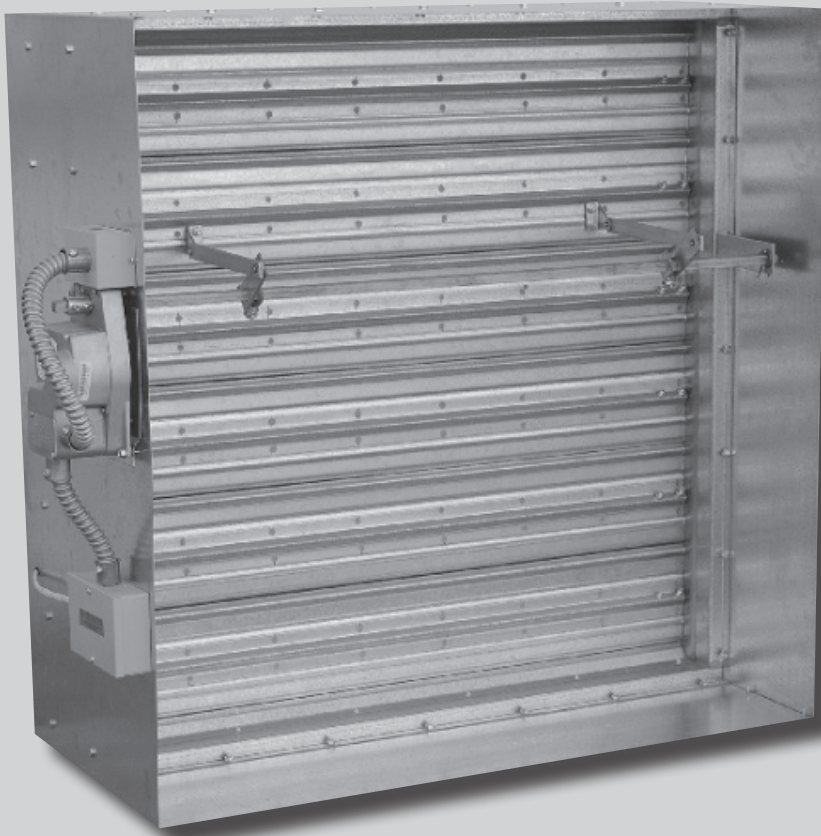
Smoke Motorized Damper products are
manufactured by



“ Your comfort is
our priority ”

www.khedr-eg.com





Models

- SDM-S "Smoke Motorized Damper"
- SDM-C "Combination Fire / Smoke motorized Damper"



Features

- 5" X 16 G galvanized hat shaped steel channel.
- 16 Ga Galvanized Steel Blades reinforced with longitudinal vees.
- UL Listed Fusible Link " 165 F Fusing Temperature " for SDM-C only.
- All Dampers are Fire rated for 1 1/2 hour.
- Spring Return Actuator.

Smoke Motorized Damper

Model Design

Khedr Model SDM Smoke Damper are designed to prevent the passage of Smoke form one side of fire rated separation to the other.

NFPA 90

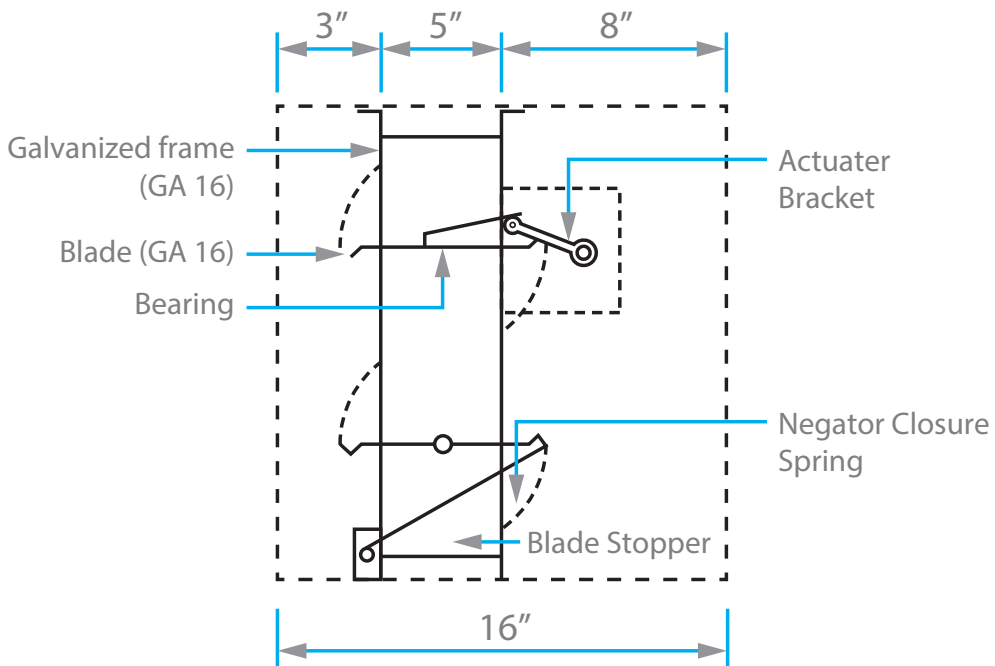
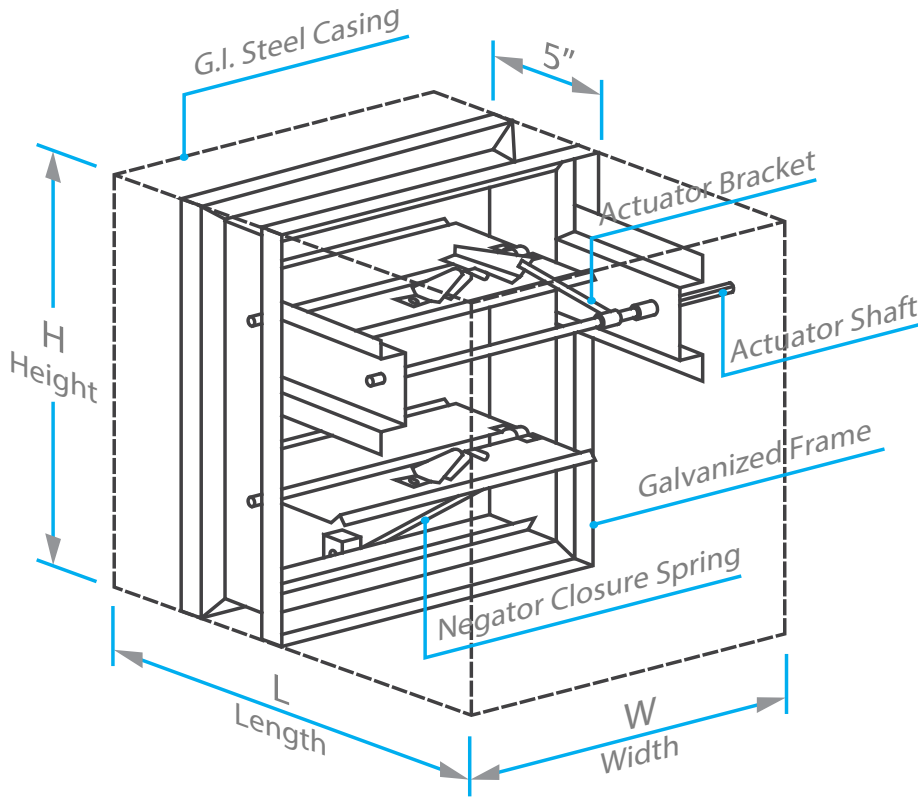
Khedr Model SDM meets the latest requirements of NFPA 90.

Model Types

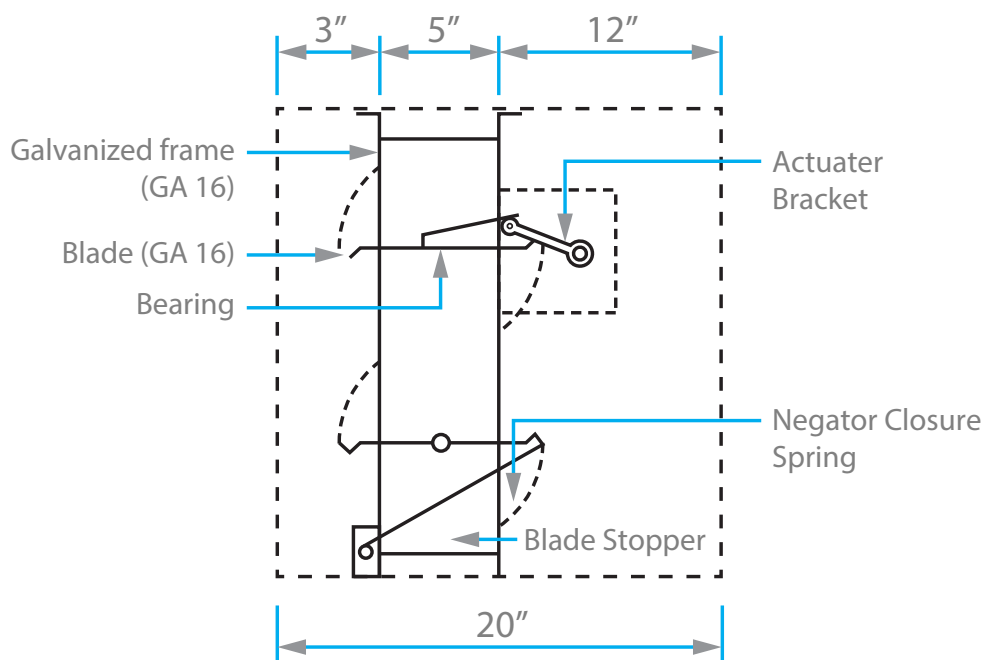
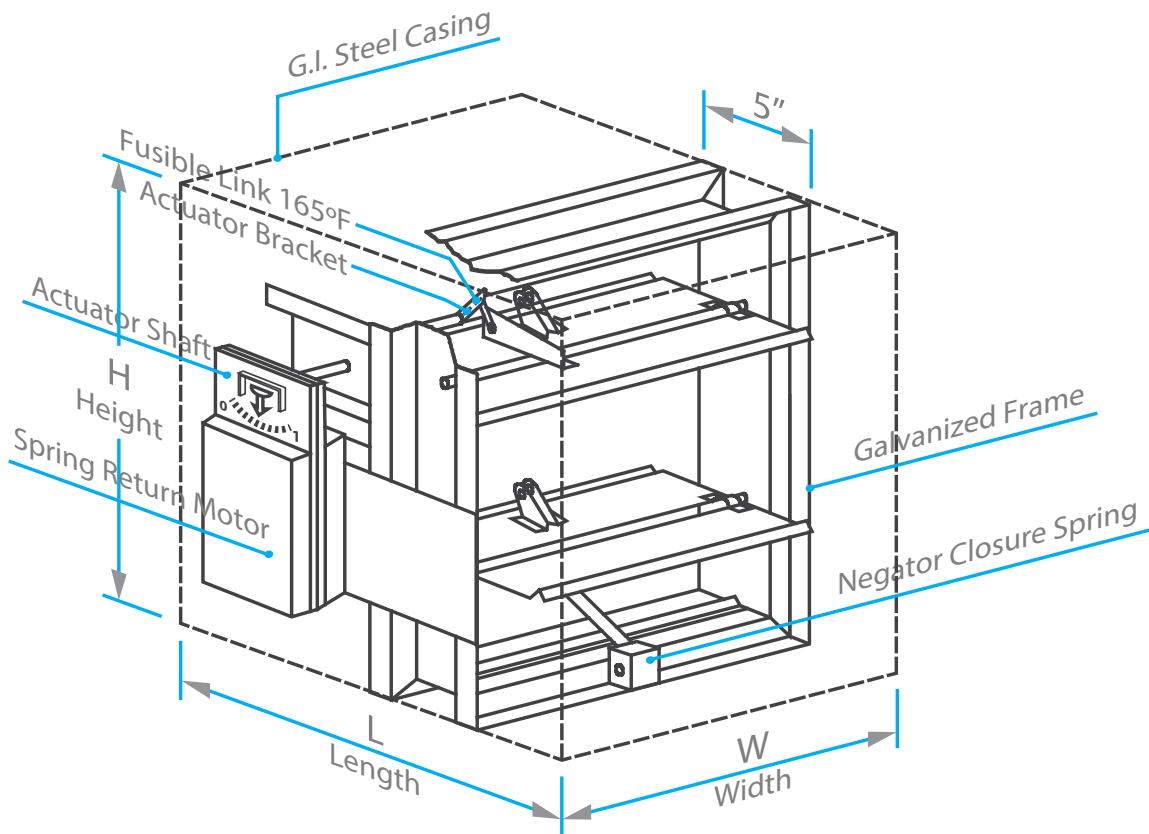
Khedr Models SDM are suitable to use in vertical or Horizontal installation.

- Construction & Specs.

- Type (SDM-S) - Smoke Motorized Damper

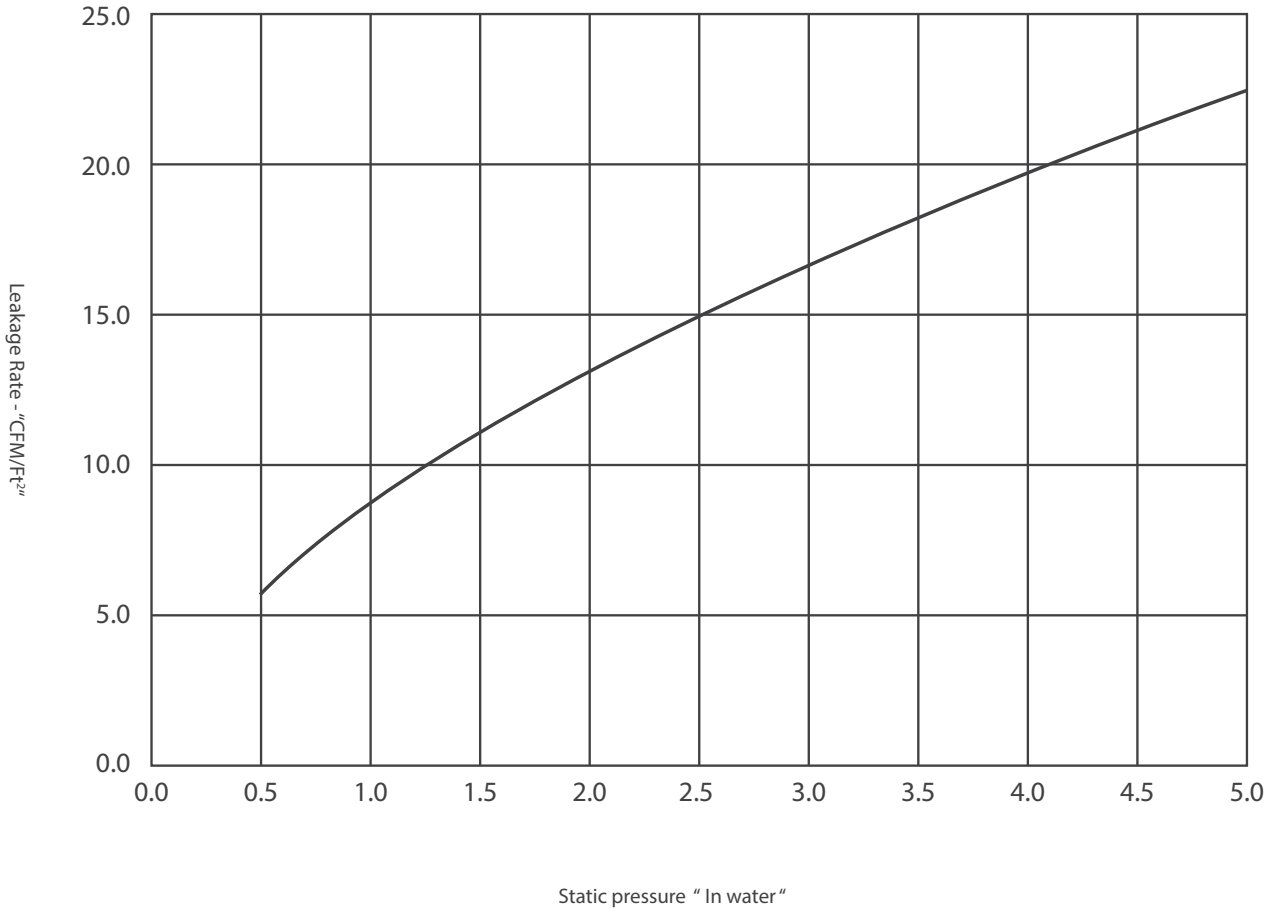


- Type (SDM-C) - Combination Fire / Smoke Motorized Damper

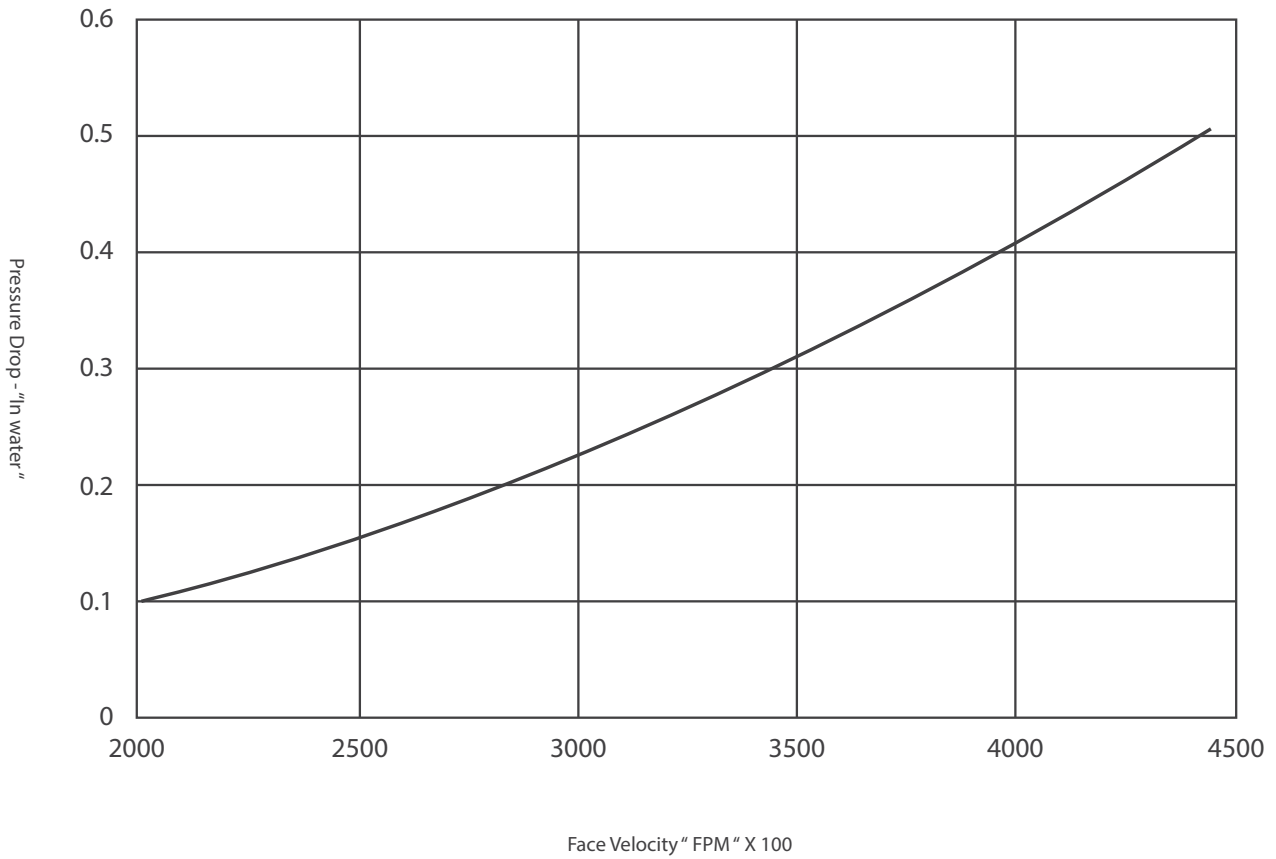


- Aerodynamic Data

1. Leakage Chart



2. Pressure Drop Chart *



- How to order

Type	SDM-S	SDM-S "Smoke Motorized Damper" SDM-C "Combination Fire / Smoke Motorized Damper"	Smoke Motorized Damper products are manufactured by Khedr Trust Co.
Size	24 x 24	Size "Inch"	
Frame	0	0 Standard S Sleeve F Frame	

* Damper in Full Open Position

Other Products are provided by Khedr Trust Co.

Diffusers & Grills

Slot Linear Diffuser
Eye Ball Diffuser
Circular Ceiling Diffuser
Swirl Diffuser
Perforated Ceiling Diffuser
Jet Diffuser
Square Ceiling Diffuser
Disc Valve Diffuser
Linear Bar Grill
Supply / Return Grill
Door Grill

Louvers

Aluminum Louver
Sand Trap Louver

Dampers

Volume Damper
Fire Damper
Smoke Motorized Damper
Shutter Damper
Pressure Relief Damper

Special Parts

Sound Attenuator
Plenum Box

Duct Works

Galvanized Steel Duct
Black Steel Duct
Stainless Steel Duct
Spiral Duct
Flexible Duct
Canvas
Flanges
Flexible Duct Connector



Khedr Trust

ALL AIR PRODUCTS



Alqanater Alkhairia roads.Industrial Area. Behind Cocacola Co.. Cairo, Egypt

Mailing Address : P.O.Box 13621. Cairo 11511 - Egypt

Tel : +202 42452022

Mob : +2010 29999054 / +2010 29999056

+2010 29999057 / +2010 29999058

E-Mail : info@khedr-eg.com

 / khedr.co

www.khedr-eg.com

